

ACTAtek™ - FINGERPRINT & SMART CARD SECURITY & TIME ATTENDANCE SYSTEM

info@actatek.com

Combination Access Control & Attendance System

ACTAtek™ uses latest proprietary 500 dpi Optical Scanner with built-in biometric fingerprint technology. The combination model support numerous Contactless Card Technology such as Legic, Mifare, HID Proximity & HIDiClass, EM & Barcode technologies, ISO Standard 14443A/B, 15693, 125kHz.

The benefits of using the combination ACTAtek™, as opposed to existing smart card only or fingerprint only systems, are manifold. For one, 6 different authentication methods can be used for allocation access to different users in different departments. These methods include: Fingerprint, Smart card, PIN, Fingerprint + Smart card, ID + Fingerprint and ID + PIN. This gives you an option of which access method to grant your employees, based on either time of day, traffic, or employee work schedule.

In addition, ALL entries are logged by the system, which can hold up to 75,000 records. They can then be viewed via the web interface of the system. The records can be automatically transfer to an ODBC / JDBC database with our ACTAtek™ Agent.

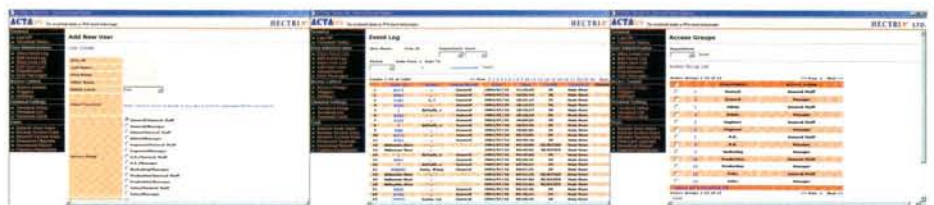
To enhance security and let the user be in charge of their information, the fingerprint data can be stored directly on the user's smart card. With this configuration, no fingerprint information will be stored in the unit. This can leviate apprehension for using a fingerprint system in the workplace. It has to be emphasized that NO fingerprint information captured by the system is stored as an image, all the data is stored as an encrypted binary algorithm, which is used solely for matching purposes.

Moreover, with a built-in CMOS camera (above the LCD screen), a snapshot of all attempts, including rejected attempts are stored within the database. So, even if the smart card or PIN only authentication methods are used, a snapshot can be taken. For every attempt, an image will be captured to the corresponding attempt. These records can then be viewed via the web interface or transfer directly to an ODBC or JDBC database using the ACTAtek™ Agent.



FEATURES & BENEFITS

- ▶ 3 Access Methods: Fingerprint, Smart card and PIN
- ▶ Operates in Standalone or Network modes
- ▶ Encrypted communication
- ▶ All Software & Hardware built-in
- ▶ IP-rated weather & impact resistant casing.
- ▶ Multi-Lingual interface - supports English, Spanish, Chinese, Arabic, German, Thai, Korean, Polish, Portuguese & Croatian - More in future releases!
- ▶ Maximum number of fingerprint template of 60,000
- ▶ Maximum Transaction storage of 75,000 records.
- ▶ 1:1 & 1:N verification methods.
- ▶ Control, configure & administer via web interface.
- ▶ Real time system update and configuration.
- ▶ Integration with Weigand 26-bit & 40-bit output.
- ▶ Optional Built-in CMOS camera.
- ▶ Optional Wi-Fi support.
- ▶ Optional secure external relay.



Combination Tech Specifications

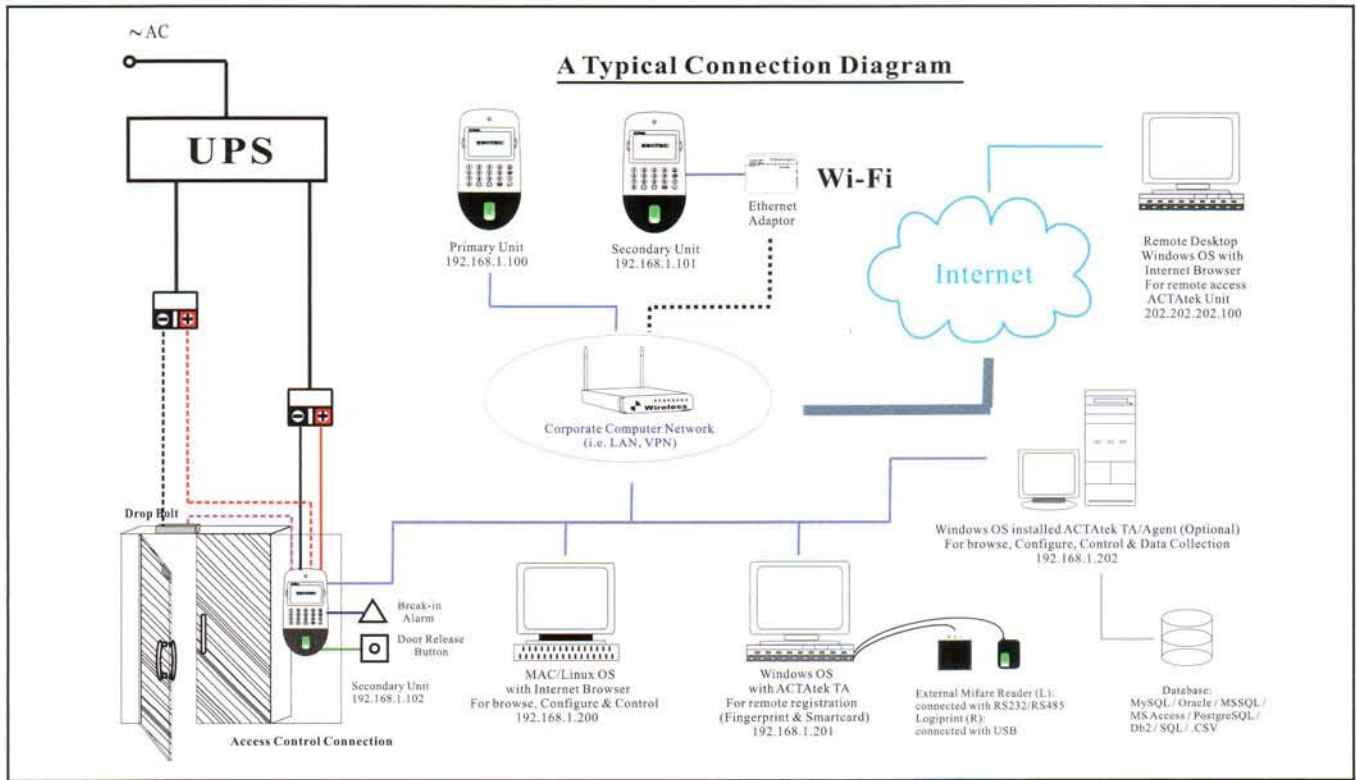
Features	Technical Specification
Support Card Technologies:	Philips Mifare, Legic, HID Proximity & HIDiClass, EM & Barcode Technologies
Card Matching Speed:	10 Micro second
Card Standards:	ISO 14443A/B, 15693, 125kHz
Card Operating Frequency:	13.56 Mhz - Mifare, Legic 125kHz - EM, HID Prox
Fingerprint Image Resolution:	500DPI
False Rejection Rate (FRR):	0.01%
False Acceptance rate (FAR):	0.0001%
Allowed Fingerprint Rotation:	+ / - 15 Degrees
Matching Speed:	0.05 second
Scanning Speed:	Less Than a second
Operation Temperature:	-20 to +60 Degrees Celsius



IP65 CASING



Access Control / Time Attendance



Standard Features

Model:	Fingerprint only	Smartcard only	Fingerprint + Smartcard	Keypad + CMOS camera
Fingerprint enrollment	✓	✗	✓	✗
Built-in smartcard reader	✗	✓	✓	✗
Built-in web and database server	✓	✓	✓	✓
Number of users	1k/3k/5k 10k/15k/20k	1k/3k/5k 10k/15k/30k	1k/3k/5k 10k/15k/20k	1k/3k/5k 10k/15k/30k
Max. transaction records stored	75000 log for 1k, 3k, 5k user model 10000 log for 10k, 15k, 20k, 30k user model			
Exchange information between devices (Primary / Secondary)	✓	✓	✓	✓
Static IP address assignment	✓	✓	✓	✓
Dynamic IP address assignment	✓	✓	✓	✓
Dimension of LCD (inches x inches)	✓	✓	✓	✓
Non-volatile memory	128/256MB			
Computer supported (with internet browser)	Mac OS Windows 95/98/NT/2000/XP/Vista Pocket PC Linux PC Unix Machine			
Valid Characters for employee ID	0-9, A-C (max. 16 charaters)			
Authentication time	< 1 second			

Distributed by:

Model:	Fingerprint only	Smartcard only	Fingerprint + Smartcard	Keypad + CMOS camera
Database interface support	ODBC / JDBC			
Encryption	Secure Socket Layer			
Multilingual support	✓	✓	✓	✓
Network interface	10BT Ethernet (Built-in) GSM/GPRS, Wi-Fi, Modem			
Expansion	RS-232/RS-485 Weigand			
Operation mode	Primary/Secondary mode			
Programming API	SOAP API			
Report	✓	✓	✓	✓
Remote Control	✓	✓	✓	✓
Operation temperature	-20°C to 60°C			
Modules	CPU/Fingerprint Mifare / Legic HID Proximity HIDiClass / FeliCa EM / Contact card LCD & Keypad CMOS Camera	RFID Card 13.56MHz ISO 14443A/B and 15693 125kHz		
Modes of Authentication	Fingerprint, Smartccard, PIN ID + Fingerprint Smartcard + Fingerprint Smartcard + PIN			
Mobile	Optional mobile battery			
Relay support	2 relays			
Case	IP65 – fluid ingress, dust, salt, fog protection			
Safety standard	CE, FCC, IP65			
Software standard	SNMP Compliant LDAP Compliant (Available on certain models)			